

4

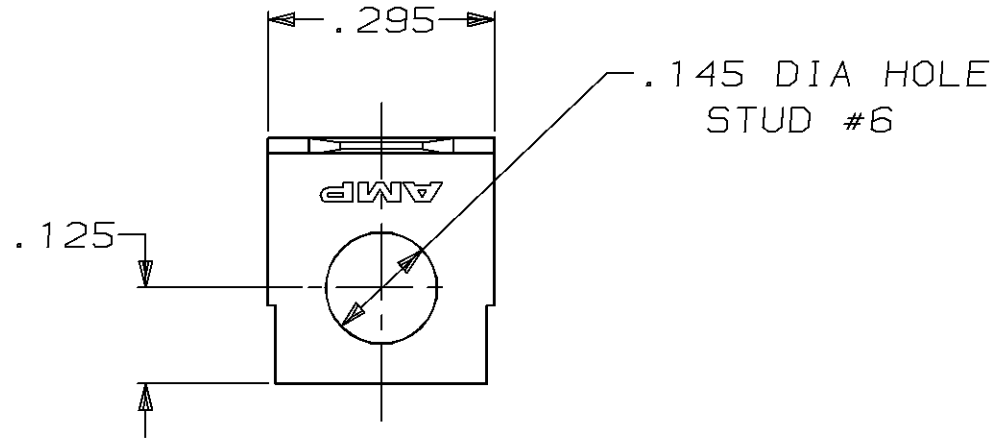
3

2

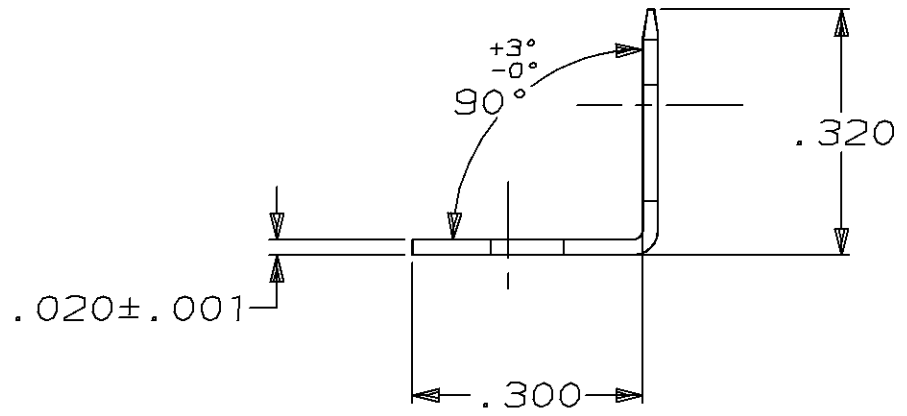
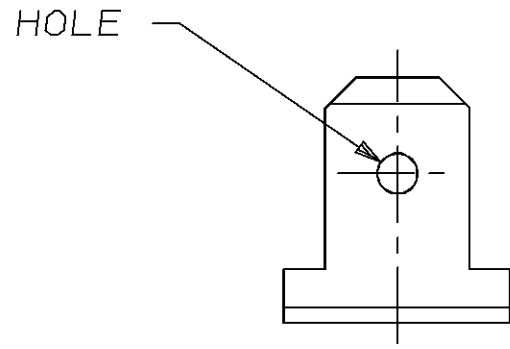
1

THIS DRAWING IS UNPUBLISHED. RELEASED FOR PUBLICATION ,19 .
 © COPYRIGHT 19 BY AMP INCORPORATED. ALL RIGHTS RESERVED.

LOC	DIST	REVISIONS			
P	LTR	DESCRIPTION	DATE	DWN	APVD
AF	50	K	REDRAWN PER 0L10-0102-97	3/6/97	JR PD



1 SUPPLIED IN LOOSE PIECE.



61407-3
PART NO.

THIS DRAWING IS A CONTROLLED DOCUMENT.		DWN	JR RUTH	3/6/97	AMP AMP Incorporated Harrisburg, PA 17105-3608
DIMENSIONS: INCHES		CHK	MS FEHER	3/6/97	
TOLERANCES UNLESS OTHERWISE SPECIFIED:		APVD	P DESANTIS	3/6/97	NAME
0 PLC	±-	PRODUCT SPEC	TAB, FASTON, .187 SERIES		
1 PLC	±-	APPLICATION SPEC	-		
2 PLC	±-	WEIGHT	-		
3 PLC	±.015	SIZE	A3	CAGE CODE	00779
4 PLC	±-	DRAWING NO	C-61407		
ANGLES	±-	SCALE	4:1		
MATERIAL	082 BRASS	SHEET	1 OF 1		
FINISH	.000080 MIN TIN	REV	K		
CUSTOMER DRAWING					